

# Specifications

# Sonoma Instrument® 352 Broadband Amplifier

Bandwidth	10 kHz - 5 GHz	- 3 dB at 2.5 GHz
Gain	26 ± 1.5 dB 20 V / V	non-inverting, 50 Ω load
Gain Flatness	± 0.6 dB	500 kHz - 4 GHz
Noise Figure	6 dB typ.	10 MHz - 2.5 GHz
Equivalent Input Noise Voltage	0.9 nV / √ Hz	including 0.45 nV / √ Hz from a 50 Ω source
Output at 1dB Gain Compression	+10 dBm	±1 V, 10 MHz - 4 GHz
Maximum Input for Linear Operation	approx. ± 50 mV	
Harmonic Distortion	- 44 dB	0 dBm out, 300 MHz
Third Order Intercept Point	+ 26 dBm	at 300 MHz
Impedance	50 Ω	a.c. coupled
Input Return Loss	12 dB	10 MHz - 5 GHz
Output Return Loss	10 dB	10 MHz - 5 GHz
Reverse Isolation	37 dB	10 MHz - 5 GHz
Rise Time	70 psec	typical
Group Delay Variation	± 60 psec	45 MHz - 5 GHz

Connectors: Type N

Input Damage Level:  
 D.C. ± 1V  
 R.F. 0 dBm  
 Pulse ± 150 mV

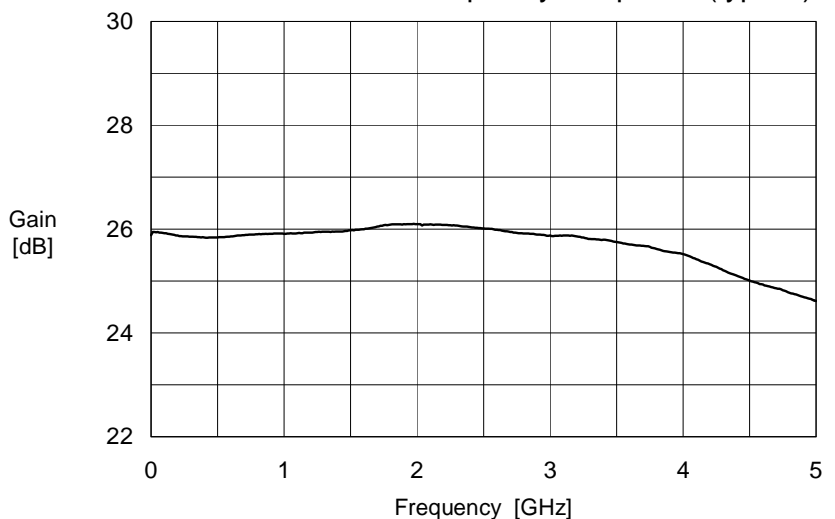
Temperature Range:  
 Operating: 0 to + 55 °C  
 Storage: - 25 to + 75 °C

Power Requirements:  
 100, 120, 220, or 240V a.c.  
 50 - 60 Hz, 20 VA

Size: 3.6 x 4.3 x 7.2" (H x W x D)  
 91 x 109 x 183 mm

Net Weight: 3.3 lb / 1.5 kg

Frequency Response (typical)



DATA SUBJECT TO CHANGE

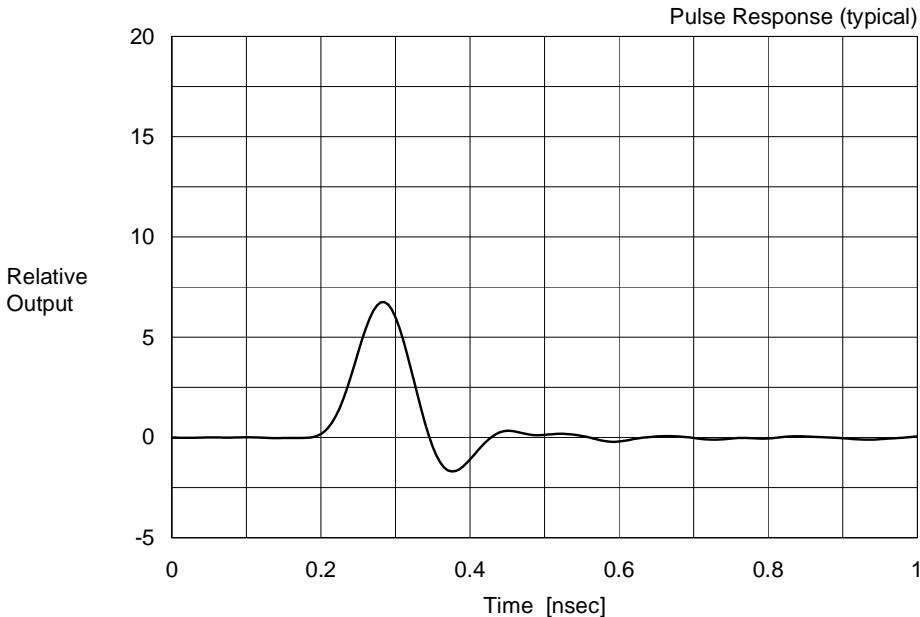
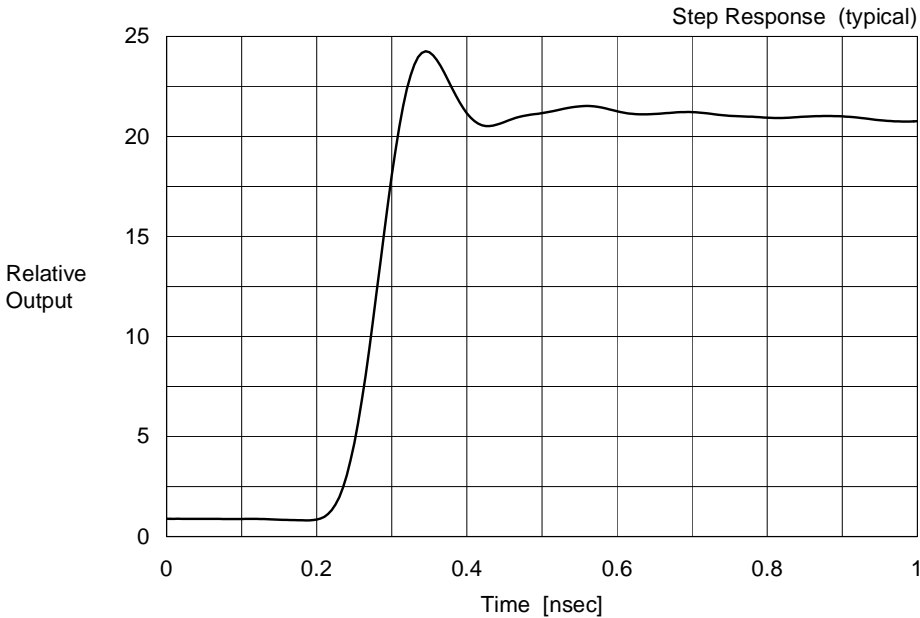
**SONOMA  
INSTRUMENT**



**Ihr Ansprechpartner /  
Your Partner:**

**dataTec AG**  
 E-Mail: info@datatec.eu  
 >>> [www.datatec.eu](http://www.datatec.eu)

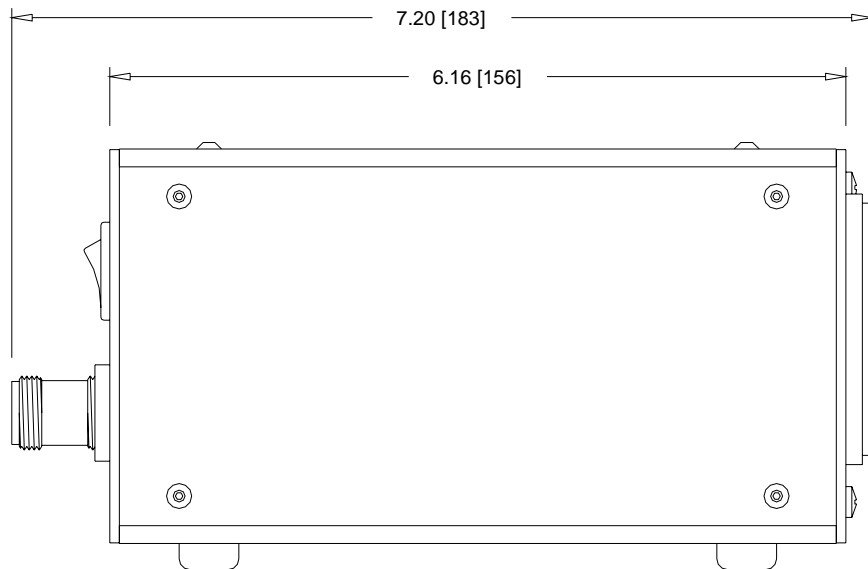
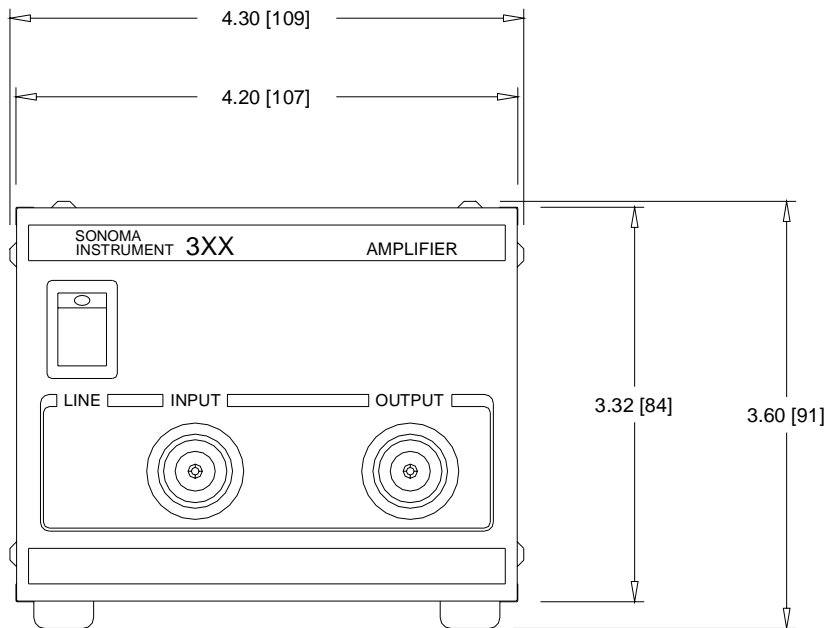
SEPTEMBER 2010 ©  
 Sonoma Instrument Co.



DATA SUBJECT TO CHANGE

# Outline Drawing

inch [mm]



DATA SUBJECT TO CHANGE

SONOMA  
INSTRUMENT



Ihr Ansprechpartner /  
Your Partner:

dataTec AG  
E-Mail: [info@datatec.eu](mailto:info@datatec.eu)  
>>> [www.datatec.eu](http://www.datatec.eu)

SEPTEMBER 2010 ©  
Sonoma Instrument Co.