

FLIR A35 f=9 mm with SC kit




General description	
<p>The FLIR A35 has features and functions that make it the natural choice for anyone who uses PC software to solve problems and for whom 320 × 256 pixel resolution is sufficient.</p> <p>Among its main features are GigE Vision and GenICam compliance, which makes it plug-and-play when used with software packages such as IMAQ Vision and Halcon.</p>	
<p>Key features:</p> <ul style="list-style-type: none"> • Very affordable. • Compact (40 mm × 43 mm × 106 mm). • GigE Vision and GenICam compliant. • GigE Vision lockable connector. • PoE (power over Ethernet). • 8-bit 320 × 256 pixel images streamed at 60 Hz, signal linear. • 14-bit 320 × 256 pixel images streamed at 60 Hz, signal and temperature linear. • High frame rates (60 Hz). • Synchronization between cameras possible. • 1x+1x GPIO. • Compliant with any software that supports GenICam, including National Instruments IMAQ Vision, Stemmers Common Vision Blox, and COGNEX Vision Pro. 	
<p>Typical applications:</p> <ul style="list-style-type: none"> • Automation and thermal machine vision. • Entry level "high-speed" R&D. 	
Imaging and optical data	
IR resolution	320 × 256 pixels
Thermal sensitivity/NETD	< 0.05°C @ +30°C (+86°F) / 50 mK
Field of view (FOV)	48° × 39°
Minimum focus distance	3.2 cm (1.6 in.)
Focal length	9 mm (0.35 in.)
Spatial resolution (IFOV)	2.78 mrad
F-number	1.25
Image frequency	60 Hz
Focus	Fixed
Detector data	
Detector type	Focal plane array (FPA), uncooled VOX microbolometer
Spectral range	7.5–13 μm
Detector pitch	25 μm
Detector time constant	Typical 12 ms

FLIR A35 f=9 mm with SC kit

Measurement	
Object temperature range	<ul style="list-style-type: none"> -25 to +135°C (-13 to 275°F) -40 to +550°C (-40 to +1022°F)
Accuracy	±5°C (±9°F) or ±5% of reading
Measurement analysis	
Atmospheric transmission correction	Automatic, based on inputs for distance, atmospheric temperature and relative humidity
Optics transmission correction	Automatic, based on signals from internal sensors
Emissivity correction	Variable from 0.5 to 1.0
Reflected apparent temperature correction	Automatic, based on input of reflected temperature
External optics/windows correction	Automatic, based on input of optics/window transmission and temperature
Measurement corrections	Global object parameters
Ethernet	
Ethernet	Control and image
Ethernet, type	Gigabit Ethernet
Ethernet, standard	IEEE 802.3
Ethernet, connector type	RJ-45
Ethernet, communication	GigE Vision ver. 1.2 Client API GenICam compliant
Ethernet, image streaming	8-bit monochrome @ 60 Hz <ul style="list-style-type: none"> Signal linear/ DDE Automatic/ Manual Flip H&V 14-bit 320 × 256 pixels @ 60 Hz <ul style="list-style-type: none"> Signal linear/ DDE Temperature linear GigE Vision and GenICam compatible
Ethernet, power	Power over Ethernet, PoE IEEE 802.3af class 0 Power
Ethernet, protocols	TCP, UDP, ICMP, IGMP, DHCP, GigEVision
Digital input/output	
Digital input, purpose	General purpose
Digital input	1× opto-isolated, "0" <1.2 VDC, "1" = 2–25 VDC.
Digital output, purpose	General purpose output to ext. device (programmatically set)
Digital output	1× opto-isolated, 2–40 VDC, max. 185 mA
Digital I/O, isolation voltage	500 VRMS
Digital I/O, supply voltage	2–40 VDC, max. 200 mA
Digital I/O, connector type	12-pole M12 connector (shared with Digital synchronization and External power)
Synchronization in, purpose	Frame synchronization in to control camera
Synchronization in	1×, non-isolated
Synchronization in, type	LVC Buffer @3.3V, "0" <0.8 V, "1">2.0 V.
Synchronization out, purpose	Frame synchronization out to control another FLIR Ax5 camera

FLIR A35 f=9 mm with SC kit

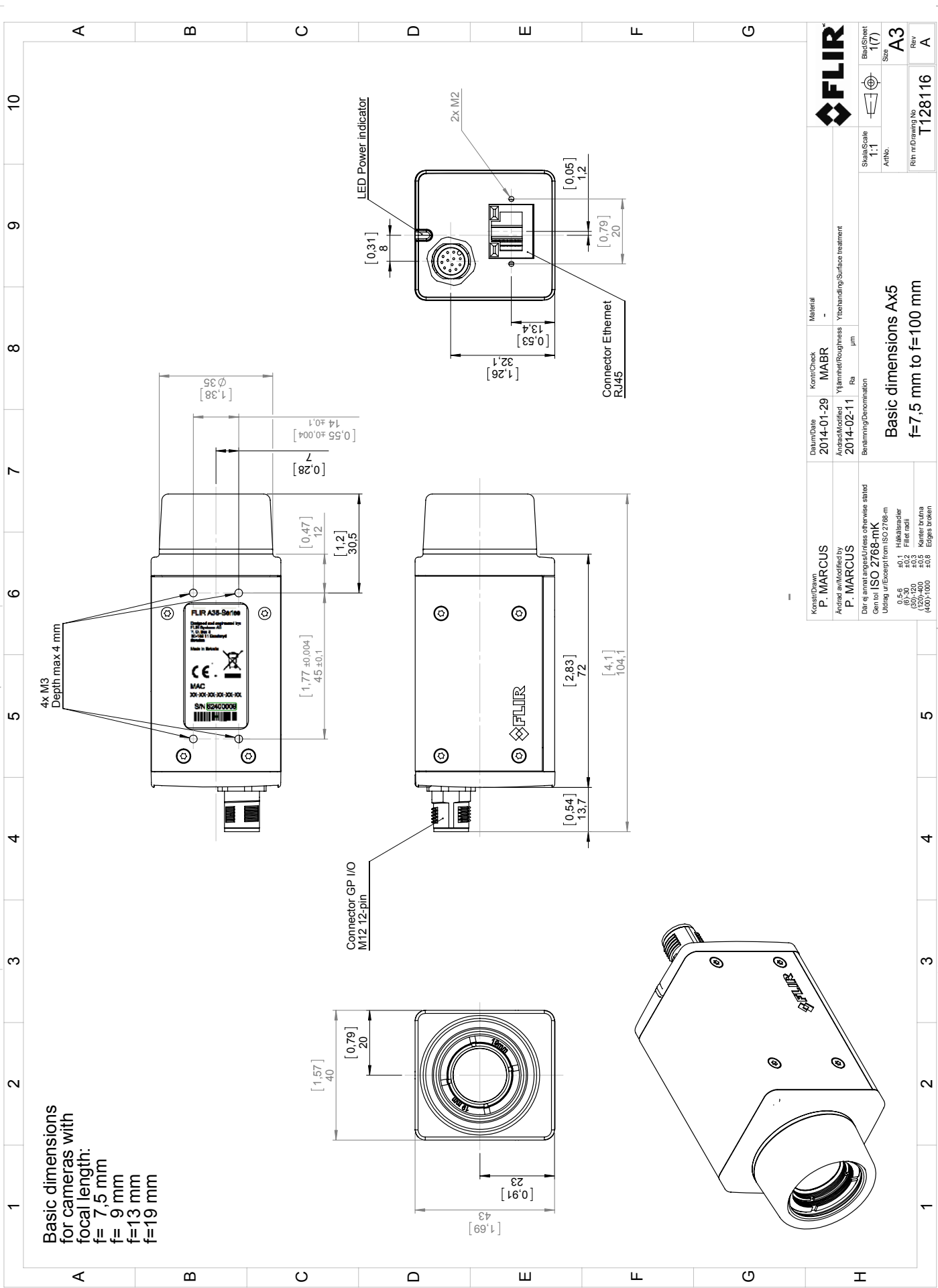
Digital input/output	
Synchronization out	1x, non-isolated
Synchronization out, type	LVC Buffer @ 3.3V, "0"=24 MA max, "1"= -24 mA max.
Digital synchronization, connector type	12-pole M12 connector (shared with Digital I/O and External power)
Power system	
External power operation	12/24 VDC, < 3.5 W nominal < 6.0 W absolute max.
External power, connector type	12-pole M12 connector (shared with Digital I/O and Digital Synchronization)
Voltage	Allowed range 10–30 VDC
Environmental data	
Operating temperature range	-15°C to +50°C (+5°F to +122°F)
	<div style="border: 1px solid black; padding: 5px;"> <p> NOTE</p> <p>The operating temperature range assumes that the camera is mounted on the base support (included in the package) or a similar type of heatsink.</p> </div>
Storage temperature range	-40°C to +70°C (-40°F to +158°F)
Humidity (operating and storage)	IEC 60068-2-30/24 h 95% relative humidity +25° C to +40°C (+77°F to +104°F)
EMC	<ul style="list-style-type: none"> • EN 61000-6-2 (Immunity) • EN 61000-6-3 (Emission) • FCC 47 CFR Part 15 Class B (Emission)
Encapsulation	IP 40 (IEC 60529) with base support mounted
Shock	25 g (IEC 60068-2-27)
Vibration	2 g (IEC 60068-2-6)
Physical data	
Weight	0.200 kg (0.44 lb.)
Camera size (L x W x H)	106 x 40 x 43 mm (4.2 x 1.6 x 1.7 in.)
Tripod mounting	1 x UNC ¼"-20 (with Base support accessory, included in the delivery box)
Base mounting	4 x M3 thread mounting holes (bottom)
Housing material	Magnesium and aluminum
Shipping information	
Packaging, type	Cardboard box
List of contents	<ul style="list-style-type: none"> • Hard transport case • Infrared camera with lens • Base support • Cable tie (2 ea.) • Ethernet cable CAT-6, 2m/6.6 ft (2 ea.) • FLIR Research Studio 1-Year Subscription (license only) • Focus adjustment tool • Gooseneck • Mains cable kit (UK,EU,US) • PoE Injector (power over Ethernet) • Printed documentation • Table stand

FLIR A35 f=9 mm with SC kit

Shipping information	
Packaging, weight	
Packaging, size	370 × 180 × 320 mm (14.6 × 7.1 × 12.6 in.)
EAN-13	7332558010570
UPC-12	845188011246
Country of origin	Sweden

Supplies & accessories:

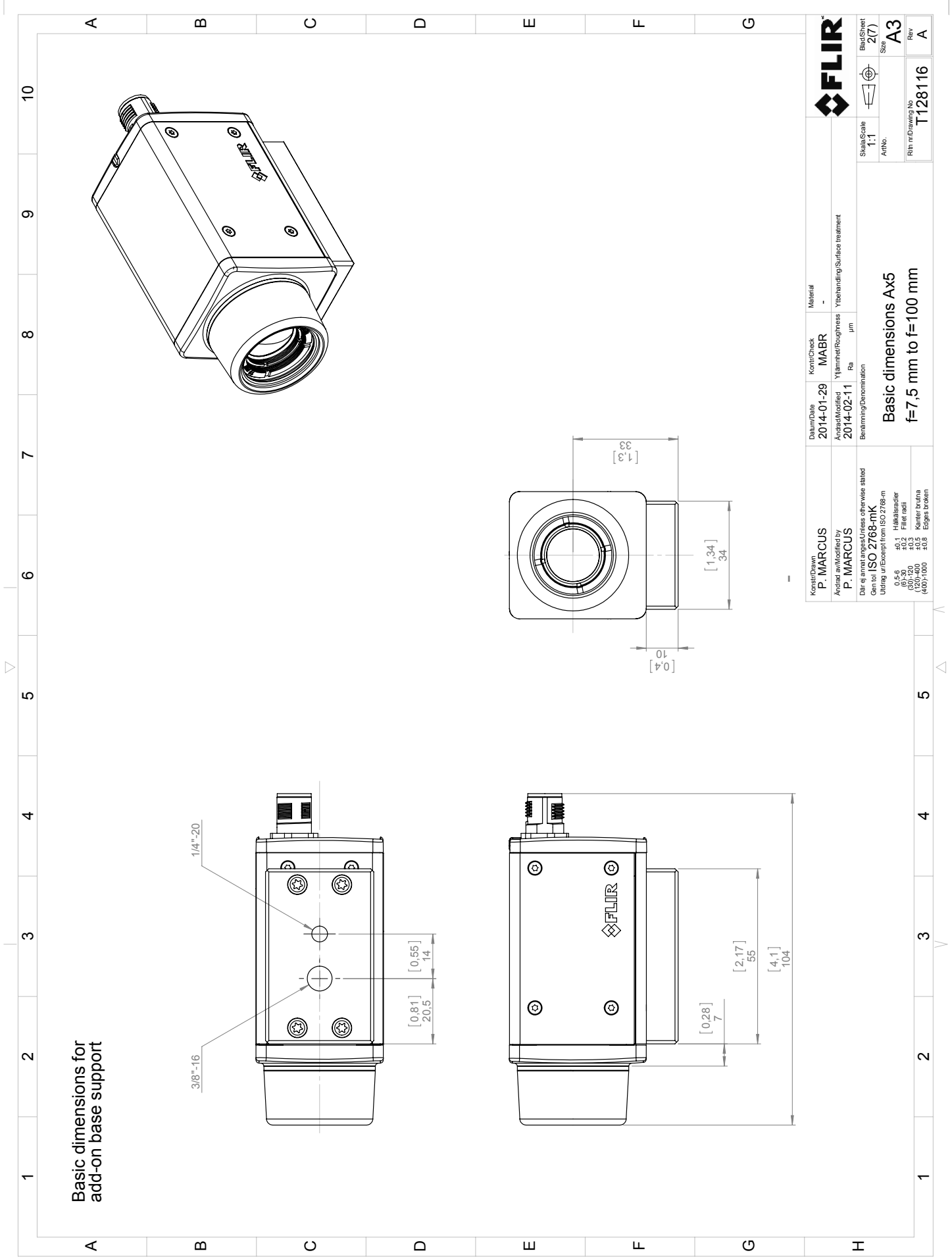
- T951004ACC; Ethernet cable CAT6, 2 m/6.6 ft.
- T198349; Base support
- T198348; Cable kit Mains (UK,EU,US)
- T127605ACC; Cable M12 Pigtail
- T127606ACC; Cable M12 Sync
- T199356; FLIR Ax5 accessory starter kit
- T911183; Gigabit PoE injector 16 W, with multi-plugs
- T198392; Table stand kit
- T198594ACC; Transport case Ax5
- T300243; FLIR Thermal Studio Pro, 1 Year Subscription
- T300083; FLIR Thermal Studio Pro, Perpetual license
- T300341; FLIR Thermal Studio Standard, 1 Year Subscription
- T300258; FLIR Thermal Studio Standard, Perpetual license
- T198584; FLIR Tools
- T198583; FLIR Tools+ (download card incl. license key)
- T199233; FLIR Atlas SDK for .NET
- T199234; FLIR Atlas SDK for MATLAB
- 4220499; FLIR Research Studio - 1 Year Subscription (online activation)
- 4220500; FLIR Research Studio - Perpetual License (online activation)
- 4220646; FLIR Research Studio - Perpetual License (USB dongle)
- INST-EW-0135; Extended Warranty 1 Year for A35, A65
- INST-EWGM-0135; Premium Service Package for A35, A65, E53, E75, E85, E95
- INST-GM-0125; General Maintenance Package for A35, A65, Exx, Kxx



FLIR		Blad/Sheet 1(7)	
Konstr/Drawn P. MARCUS		Kontroll/Check MABR	Material -
Datum/Date 2014-01-29		Ytämning/Roughness Ytbehandling/Surface treatment	
Ändrad av/Modified by P. MARCUS		Ra µm	
Där ej annat anges gäller dessa, uteslutningsstatistiskt Genetiskt ISO 2768-mK		Benämning/Denomination Basic dimensions Ax5 f=7,5 mm to f=100 mm	
Utdrag ur beskrivningen ISO 2768-m		Rit nr/Drawing No T128116	
0,5-6 Hålslämlinjer		Skala/Scale 1:1	
0,01-0,25 Fillet radi		Storlek/Size A3	
0,120-0,400 ±0,05 Kanter brutna		Rev A	
0,400-1,000 ±0,08 Edges broken			

This document must not be communicated or copied completely or in part, without our permission.
 FLIR SYSTEMS AB

Denna handling får ej delas ut utan köparens
 skriftliga tillstånd. Översatt från engelska.
 Översattelse harav börjas med stöd av gällande lag.
 FLIR SYSTEMS AB



Basic dimensions for
add-on base support

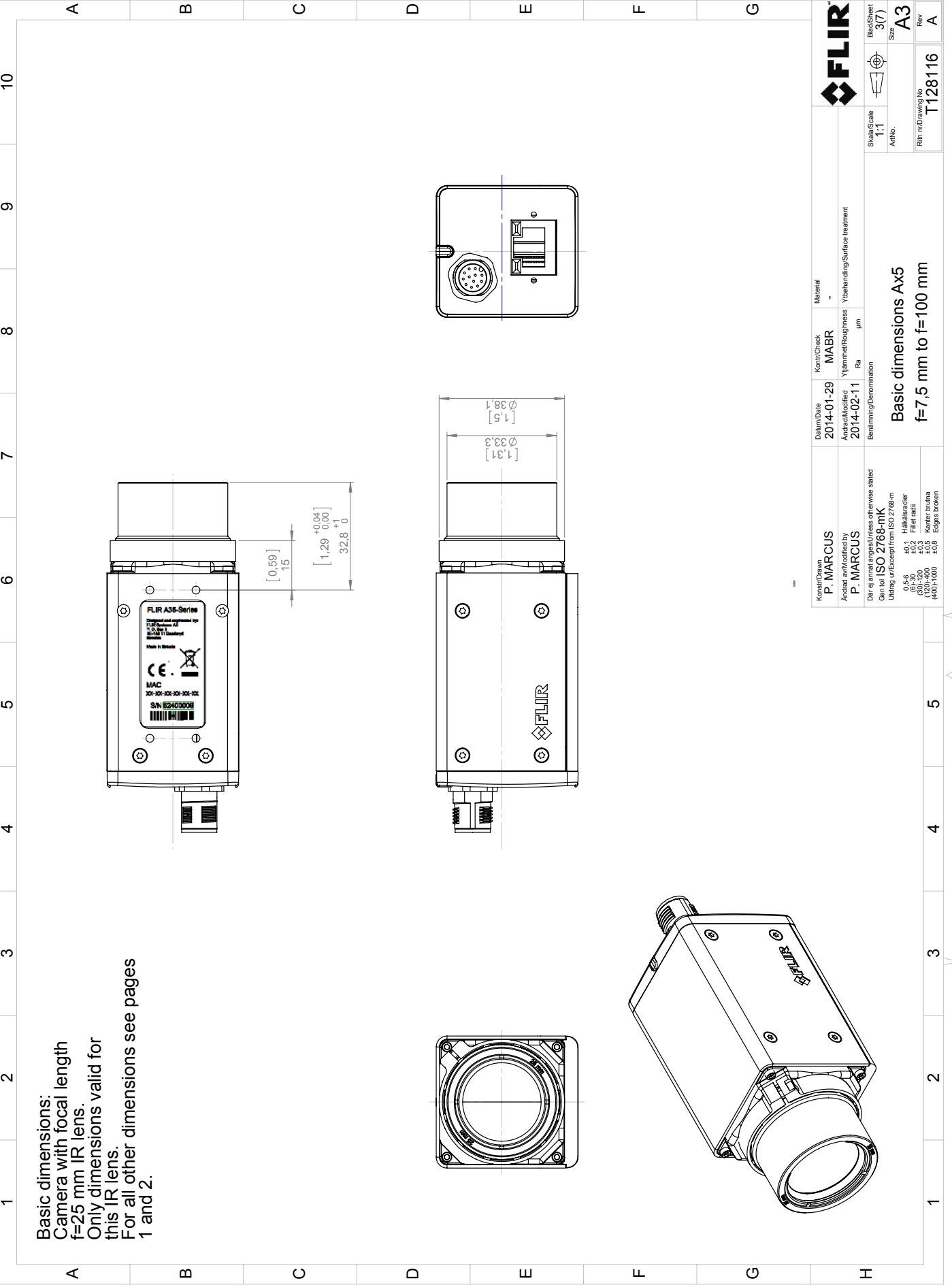
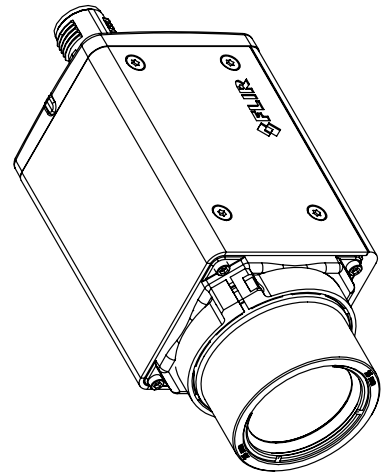
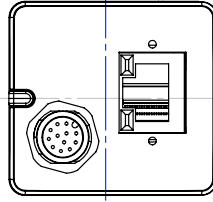
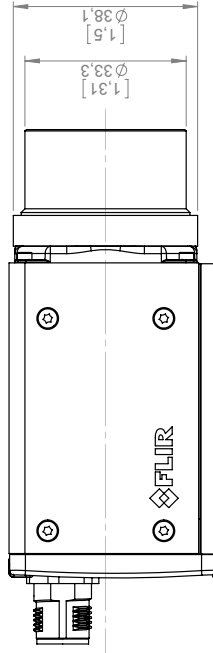
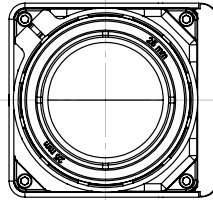
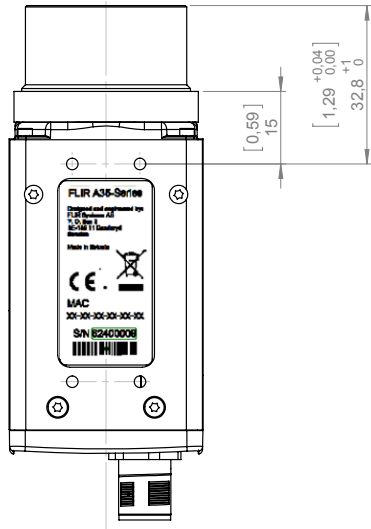
FLIR Sheet Scale 1:1 AIN: Rev A T128116	Date/Date: 2014-01-29 Drawn/Modific: P. MARCUS Checked/Modific: P. MARCUS Material: - Surface Treatment: Ybehandling/Surface treatment	Control/Check: MABR Ylämittä/Roughness: Ra Denomination:	Basic dimensions Ax5 f=7,5 mm to f=100 mm
--	--	--	--

Drawn/Modific: P. MARCUS Checked/Modific: P. MARCUS Conforms to: ISO 2768-mK Ultragång avseende toleranserna om inte annat anges	Material: - Surface Treatment: Ybehandling/Surface treatment	Denomination:	Basic dimensions Ax5 f=7,5 mm to f=100 mm
---	---	---------------	--

This document must not be communicated or copied, completely or in part, without our permission. FLIR SYSTEMS AB

Den här handlingen får inte delas ut eller kopieras i sin helhet eller delar utan vårt medgivande. Översattelse eller översättning är tillåtet utan vidare förbehåll. FLIR SYSTEMS AB

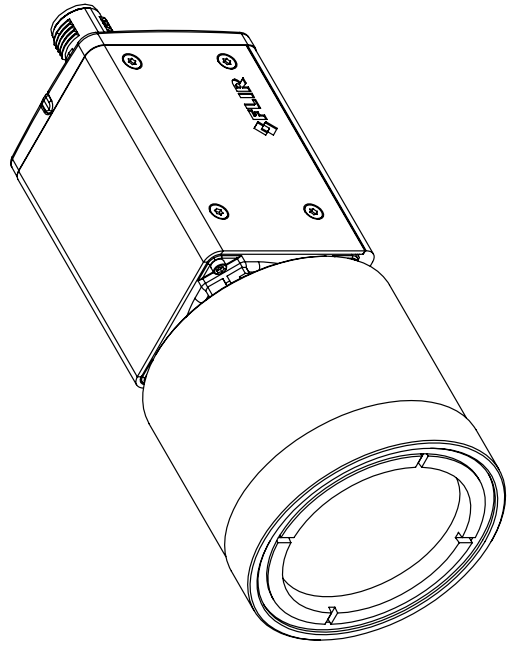
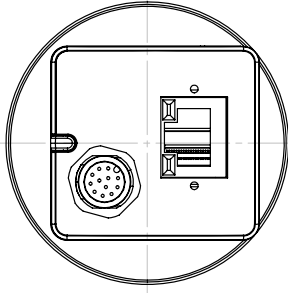
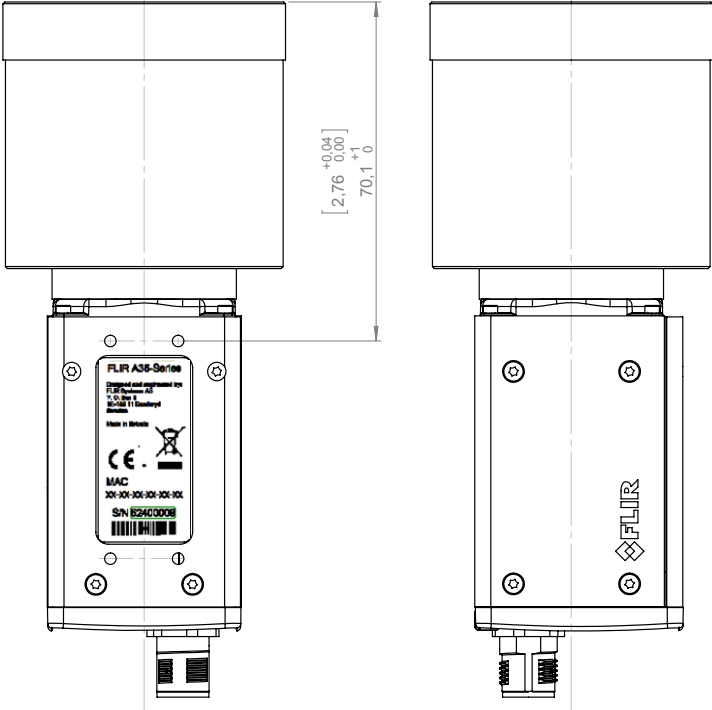
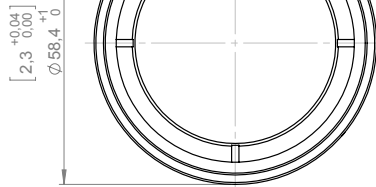
Basic dimensions:
 Camera with focal length
 f=25 mm IR lens.
 Only dimensions valid for
 this IR lens.
 For all other dimensions see pages
 1 and 2.



		Sheet 3(7)	Size A3
Scale 1:1	Title A3	Rev T128116	Rev A
Date 2014-01-29	Checked MABR	Material -	Treatment Y-behandling/Surface treatment
Drawn P. MARCUS	Modified P. MARCUS	Thickness µm	Denomination Basic dimensions Ax5 f=7,5 mm to f=100 mm
Drawn and checked unless otherwise stated Con. to ISO 2768-mk Ultrag. utseende från ISO 2768-m 0,5-6 40,1 Fillobstuder 630-120 40,3 Fillobstuder 630-120 40,5 Kenter bruna 6407-100 208 Edges burin			

This document must not be communicated or copied completely or in part, without our permission. FLIR SYSTEMS AB
 Denna handling får endast sändas kopieras i sin helhet eller delar till ett medgivande Överförelse får inte beivras med stöd av gällande lag. FLIR SYSTEMS AB

Basic dimensions:
 Camera with focal length
 f=50 mm IR lens.
 Only dimensions valid for
 this IR lens.
 For all other dimensions see pages
 1 and 2.



FLIR FLIR SYSTEMS AB Box 57 A3 Rev A		Status Scale 1:1 A116.	Rith nr/Drawing No T128116
Konstr/Drawn P. MARCUS	Datum/Date 2014-01-29	Konstr/Check MABR	Material -
Ändrad av/Modified by P. MARCUS	Ändrad/Modified 2014-02-11	Ytbehandling/Roughness Ra	Ytbehandling/Surface treatment -
Konformitet ISO 2768-mK Ultragång avseende toleranser, om inte annat anges	Dimensioner 0.5-6 6.3-120 125-200 200-500 500-1000	Benämning/Denomination Basic dimensions Ax5 f=7,5 mm to f=100 mm	Material -

This document must not be communicated or
 copied, completely or in part, without our permission.
 FLIR SYSTEMS AB

Denna handling får endast användas för den
 överenskomna ändamålet. Övrigt innehållande
 tekniska uppgifter är skyddade enligt
 FLIR SYSTEMS AB

Deutschlands größter B2B-Onlineshop für Mess- und Prüftechnik.



Mess- und Prüftechnik, Die Experten.

Ihre Vorteile:

- > Eine unschlagbare Auswahl namhafter Hersteller
- > Hohe Lagerkapazität und kurze Wege
- > Bundesweite Lieferung und schnelle Zustellung meist innerhalb eines Tages
- > Mehrere tausend Mess- und Prüfgeräte
- > Tagesaktuelle Preise und Promotions
- > Warenkorbrabatt bei Online-Bestellung
- > Versandkostenfrei ab € 50,-
- > Dokumenten-Download u. v. m.

