

FLIR ONE Edge Pro

P/N: 11002-0201

Copyright

© 2023, FLIR Systems, Inc.

All rights reserved worldwide. Names and marks appearing herein are either registered trademarks or trademarks of FLIR Systems and/or its subsidiaries. All other trademarks, trade names or company names referenced herein are used for identification only and are the property of their respective owners.

Document identity

Publ. No.: 11002-0201
 Commit: 92472
 Language:
 Modified: 2023-06-16
 Formatted: 2023-06-16

Website

<http://www.flir.com>

Customer support

<http://support.flir.com>

Disclaimer

Specifications subject to change without further notice. Camera models and accessories subject to regional market considerations. License procedures may apply. Products described herein may be subject to US Export Regulations. Please refer to exportquestions@flir.com with any questions.



Key features

- Wireless image streaming over Wi-Fi.
- New innovative form factor that enables new flexible ways of using the camera – mounted on mobile device, or separated to look into narrow/hard to reach spaces.
- Compatibility with common phones & tablets.
- Easy, fast and secure way of attaching/detaching to mobile device.
- Seamless device pairing.
- Battery time at least 1 h 30 min.
- Compact size – easy to bring in pocket/tool box.
- 160x120 resolution.
- MSX & VividIR.
- Efficient troubleshooting functionality in app.
- File upload to FLIR Ignite cloud.
- One camera that works with both android & iOS – easier to share between colleagues.
- Fast charging.
- Quick battery indication – saves time.
- Fast camera start-up.

Additional FLIR Software

- FLIR Ignite Web – cloud backup, organizing files and collaborating with colleagues/clients, quick reporting.
- FLIR Thermal Studio – Professional editing and reporting on PC. Easily access your FLIR ONE images in FLIR Thermal Studio via FLIR Ignite Sync.
- FLIR Tools Mobile app – import FLIR ONE images and create reports on the go.

Third party mobile apps

Solutions tailored to specific use cases.

- Magicplan – For building inspections. Allows home owners and contractors to identify air leakage and create custom reports to address the problems.
- Rocketplan – For building restoration management. Moisture logs, damage assessment and efficient documentation.
- Multisens – For conditioning monitoring professionals. Test drive and calibrate the Flir ONE Edge Pro.
- Verifli – For beehive inspection. Non-invasive, unbiased hive grading for growers and beekeepers.
- Vernier – For education purposes. Live thermal data in physics experiments, for college and high school students.

FLIR Mobile SDK

- FLIR Mobile Software Development Kit (SDK) is an easy to use, powerful, and flexible development platform that enables industries and independent app developers to create powerful and creative apps by integrating thermal data, images, and video from thermal cameras and readings from connected meters.

FLIR ONE Edge Pro

P/N: 11002-0201

© 2023, FLIR Systems, Inc.

#11002-0201; r. 92472;

Imaging and optical data	
NETD	70 mK
Field of view	54° × 42°
Minimum focus distance	<ul style="list-style-type: none"> Thermal: 0.3 m (0.98 ft.) MSX: 0.3 m (0.98 ft.)
Spatial resolution (IFOV)	6.3 mrad/pixel
F-number	1.1
Image frequency	8.7 Hz
Focus	Focus free
Detector data	
Focal Plane Array	Uncooled microbolometer
Spectral range	8–14 μm
Detector pitch	12 μm
Thermal resolution	160 × 120
Measurement	
Object temperature range	<ul style="list-style-type: none"> -20°C to 120°C (-4°F to 248°F) 0°C to 400°C (32°F to 752°F)
Accuracy at ambient temp. 15°C to 35°C (59°F to 95°F) and object temp. above 0°C (32°F)	±3°C (±5.4°F) or 5%, whichever is higher. Applicable 60 sec after start-up.
Set-up	
Set-up commands	Local adaptation of units, language, date, and time formats.
Languages	Czech, Danish, Dutch, English, Finnish, French, German, Greek, Hungarian, Italian, Japanese, Korean, Norwegian, Polish, Portuguese, Russian, Simpl. Chinese, Spanish, Swedish, Trad. Chinese, Turkish. Dependent on the language set in the mobile device.
Storage of images	
Storage of images	Yes, in the FLIR ONE app, gallery of the mobile device (optional), and FLIR Ignite cloud service.
Image file format	<ul style="list-style-type: none"> Standard JPEG 16-bit measurement data included.
Video file format	MPEG-4 (MP4)
Digital camera	
Resolution	1440 × 1080 (Interpolated from 640 × 480)
Focus	Fixed focus 30 cm – infinity.
Power system	
Battery type	Rechargeable Li-ion polymer battery.
Battery voltage	3.7 V
Battery operating time	2 h 30 min
Charging system	Female USB-C (5 V/1 A)
Charging time	60–90 min for fully charged. 15 min charging, from empty battery, gives 40 min operating time.

FLIR ONE Edge Pro

P/N: 11002-0201

© 2023, FLIR Systems, Inc.

#11002-0201; r. 92472;

Power system	
Power management	Automatic shut-down.
Battery documents	For documents like MSDS and UN38.3 test reports/summaries, see: https://support.flir.com/resources/msds
Environmental data	
Operating temperature range	-10°C to +50°C (+14°F to +122°F) Battery charging 0°C to +45°C (+32°F to +113°F)
Storage temperature range	-40°C to +70°C (-40°F to +158°F)
Drop	2 m (6.56 ft)
Encapsulation	Camera housing and lens: IP 54 (IEC 60529)
Compliance	
Battery regulations	UL 1642, EN 62133 ED2
EMC	<ul style="list-style-type: none"> EN 301 489-1 FCC 47 CFR Part 15 Class B ICES-003
Magnetic fields	EN 61000-4-8
RoHS	RoHS 2011/65/EU and 2015/863/EU
WEEE	WEEE 2012/19/EU
Declaration of conformity	See: https://support.flir.com/resources/DoC
App	
Auto orientation	Yes
Image adjustment (alignment calibration)	Yes
VividIR	Yes
Capture modes	<ul style="list-style-type: none"> Video Photo
Image presentation modes	<ul style="list-style-type: none"> Infrared image Visual image MSX
Measurement analysis	<ul style="list-style-type: none"> 3 adjustable measurement spots, °C/°F. Tracking of hottest & coldest spot. Resolution 0.1°C / 0.1°F
Emissivity correction	Yes; <ul style="list-style-type: none"> matte semi-matte semi-glossy glossy
Measurements correction	<ul style="list-style-type: none"> Emissivity Reflected apparent temperature +22°C (+72°F)
Color palettes	<ul style="list-style-type: none"> Iron Rainbow Rainbow HC Gray Arctic Lava Wheel Hottest Coldest

FLIR ONE Edge Pro

P/N: 11002-0201

© 2023, FLIR Systems, Inc.

#11002-0201; r. 92472;

App	
Camera software update	Yes
Battery indicator	0-100%
Data communication	
Wi-Fi	IEEE 802.11 a/b/g/n
USB	USB 2.0, Type-C connector
Bluetooth	Bluetooth
Radio	
Wi-Fi	Standard: 802.11 a/b/g/n
Bluetooth	<ul style="list-style-type: none">Frequency range:<ul style="list-style-type: none">2400–2484 MHz
Physical data	
Weight (incl. battery)	153 g (5.4 oz.)
Size (L × W × H)	14.9 × 3.5 × 3.75 cm (5.9 × 1.4 × 1.5 in.)
Housing material	<ul style="list-style-type: none">PC-ABS/TPEZincSilicone rubberAluminum
Color	Black
Shipping information	
Packaging, type	Cardboard box
List of contents	<ul style="list-style-type: none">Infrared cameraUSB-C cablePrinted documentation
Packaging, weight	355 g (12.5 oz.)
Packaging, size	16.5 × 9.8 × 5.1 cm (6.5 × 3.9 × 2.0 in.)
EAN-13	4743254006072
UPC-12	845188026844
Country of origin	Estonia

Supplies & accessories:

- T912180ACC; FLIR ONE Edge Pouch



Mess- und Prüftechnik. Die Experten.

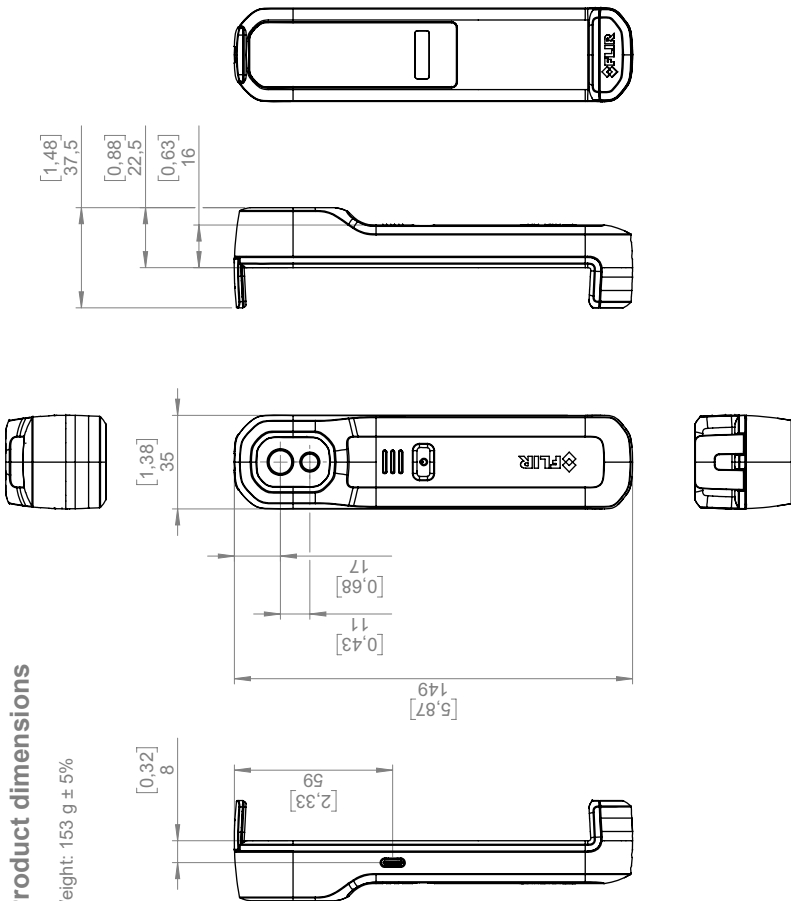
Ihr Ansprechpartner /
Your Partner:

dataTec AG
E-Mail: info@datatec.eu
>>> www.datatec.eu

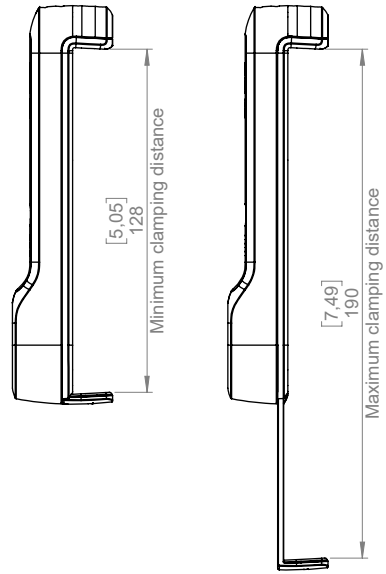


Product dimensions

Weight: 153 g ± 5%



Clamping properties



© 2016, FLIR Systems, Inc. All rights reserved worldwide. No part of this drawing may be reproduced, stored in a retrieval system, or transmitted in any form, or by any means, electronic, mechanical, photocopying, recording, or otherwise, without written permission from FLIR Systems, Inc. Specifications subject to change without further notice. Dimensional data is based on nominal values. Products may be subject to regional market considerations. License procedures may apply. Product may be subject to US Export Regulations. Please refer to exportquestions@flir.com with any questions. Diversion contrary to US law is prohibited.

Modified 2022-10-21	Check JOTA	Drawn by R&D Instruments	Size A4	Sheet 1(1)	Rev A
Denomination FLIR ONE Edge basic dimension			Scale 1:2	Drawing No. T131336	