

# N1810/1/2 Coaxial Switches

## High Performance Electromechanical Switches for Microwave and RF Manufacturing Test Systems

In today's fast-moving technical industries, test engineers need components they can count on. Keysight offers a line of latching coaxial switches that combine legendary reliability with the widest range of performance options available today.

### Key Features

Insertion loss repeatability	0.03 dB to 1 million cycles and 0.1 dB to 2 million cycles
High isolation	> 120 dB at 4 GHz
Low SWR	< 1.10 at 4 GHz
Low-insertion loss	< 0.27 dB at 4 GHz
Long life	2 million cycles



### Key Applications

- Radar and satellite testing
- Wireless W-HDMI device testing
- Microwave backhaul applications
  - DC to 4 GHz
  - DC to 20 GHz
  - DC to 26.5 GHz



## Reduce downtime

Keysight Technologies is the world leader in innovating and developing microwave accessories for communications and aerospace applications. Our innovative design and strict adherence to quality process control ensure that each switch is guaranteed to perform within warranted specifications for its entire lifetime. With fewer breakdowns and less need to recalibrate, your test system moves quicker with less downtime, creating more throughput and revenue.

## Raise your standards

All Keysight switches offer excellent repeatability and long life — up to five times the lifecycles of the competition. Add to this aggressive specs for isolation, SWR, and insertion loss, and you have a switch that impresses even the most demanding engineer with its precision and durability.

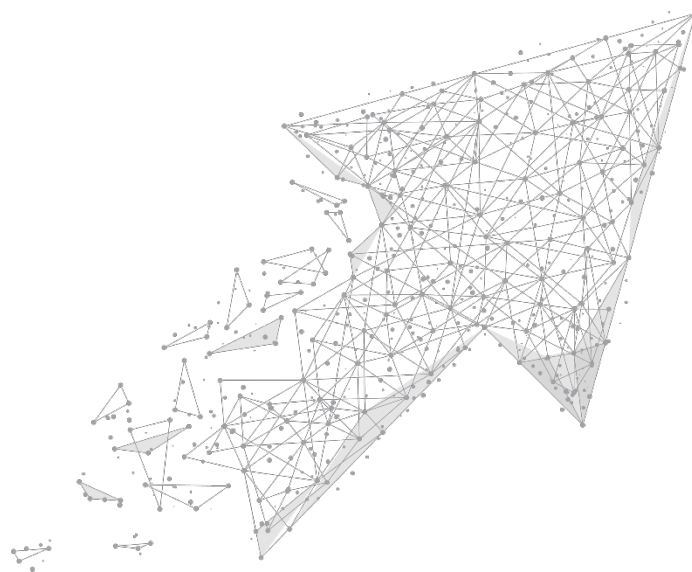
## Increase flexibility

For test systems that require extra functionality or increased performance, the N181x family of switches has a solution that fits your need. The options include:

- Reduced SWR
- Increased isolation
- Standard or TTL drive
- 5, 15, 24 volts drive
- Position indicators

## Increase productivity

When you buy your switches from Keysight, you notice a difference. Your test platforms run smoother, longer and faster, while yielding more viable and valuable measurements.



## Description

Model No.	Description
N1810UL	<b>Unterminated latching</b> The Keysight N1810UL is a single-pole double-throw switch available in the frequency range from DC to 26.5 GHz. In precision measurements and monitoring applications where insertion loss repeatability is crucial, these switches operate in excess of 2 million cycles with better than 0.03 dB of insertion loss repeatability at 25 °C up to 1 million cycles.
N1810TL	<b>Terminated latching</b> The Keysight N1810TL is a single-pole double-throw switch available in the frequency range from DC to 26.5 GHz. The unused port is terminated 50 Ω, making it ideal for applications where port matching is required.
N1811TL	<b>Terminated latching</b> The N1811TL is a terminated bypass switch available in the frequency range from DC to 26.5 GHz. The switch's internal load can terminate the device under test when in the bypass mode (up to 1 watt). Because of its compact design, it is ideal for drop-in, drop-out applications.
N1812UL	<b>Unterminated latching</b> The N1812UL is a versatile, unterminated 5-port switch available in the frequency range from DC to 26.5 GHz. In transfer switch applications, the fifth port can be terminated externally with a high-power termination. It can also be utilized for signal path reversal or as a calibration port.

## Technology

Keysight switches are designed with a rectangular coaxial structure similar to edge-line. This transmission line structure provides for movement of the edge-line center conductor between two fixed, continuous ground planes. The main advantage of this innovation is that the moving contacts can be easily activated yet maintain high-isolation and low-insertion loss.

The RF contact configuration is designed for controlled wiping action. Since the outer conductor is not part of the switching function, repeatability and life are improved. The switching action occurs typically within 15 milliseconds, after which permanent magnets latch the contacts to retain the new switch position.



## Operation

All switches are “break before make,” the switched ports are not connected to each other. This prevents damage to sensitive circuits and enhances test simplicity.

## Driving

There are two positions for the N181x family of switches. Standard switching is accomplished by applying the supply voltage to pin 5 (+V) and grounding either pin 4 (A) or pin 3 (B) to actuate the mechanism to the desired state. See page 5, pin-out diagram.

Warning minimum switch spacing is 6.0 mm (0.25 inch).

The N181x comes with current interrupt, the drive current is automatically disconnected after the switch is fully latched (15 ms).

Option 401 drives the switch with TTL/5V CMOS compatible logic, which controls the DC power supply to drive the switch.

Option 402 provides electronic indication of switch state. The circuitry consists of two independent commons, which can be connected to outputs corresponding to either position A or B. Because the commons are electrically isolated from each other as well as the drive circuit, this option allows two position signals to be obtained.

## Specifications

Specifications describe the instrument’s warranted performance. Supplemental and typical characteristics are intended to provide information useful in applying the instrument by giving typical, but not warranted performance parameters.

## General

Maximum power rating	
Into internal termination	1 W CW, 7 VDC, 50 W pk, 10 $\mu$ s max pulse duration, not to exceed 1 W average
Into thru path	
Hot switching	2 W CW, 10 VDC, 100 W pk, 10 $\mu$ s max pulse duration, not to exceed 2 W average
Coil voltage	5, 15, 24 VDC
Connector	Option 004/020/026 SMA (f)

## Standard performance specifications — N1810/1/2 Series (Frequency options 004/020/026)

Isolation (dB) =  $90 - \left(\frac{30}{26.5}\right) F$ , where F is specified in GHz

	DC	4 GHz	12.4 GHz	20 GHz	26.5 GHz
	90	85	76	67	60

Insertion loss (dB) =  $0.35 + \left(\frac{0.45}{26.5}\right) F$ , where F is specified in GHz

	DC	4 GHz	12.4 GHz	20 GHz	26.5 GHz
	0.35	0.42	0.56	0.69	0.80
SWR		DC-4 GHz	4-12.4 GHz	12.4-20 GHz	20-26.5 GHz
		1.15	1.25	1.30	1.60

## Optional high-performance specifications – N1810/1/2 Series

Isolation (dB) =  $125 - \left(\frac{35}{26.5}\right) F$ , where F is specified in GHz

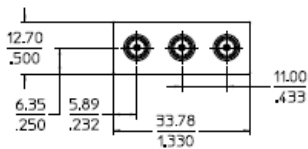
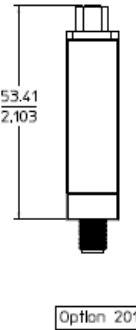
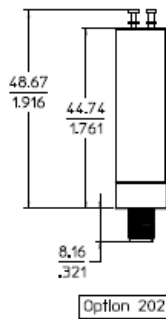
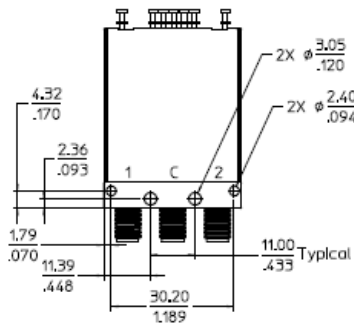
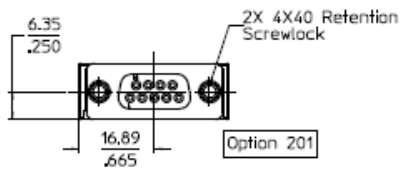
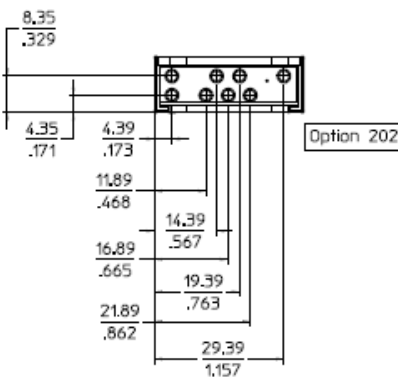
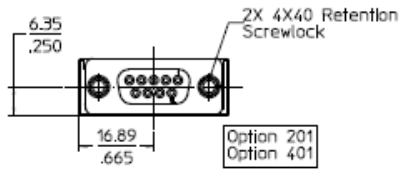
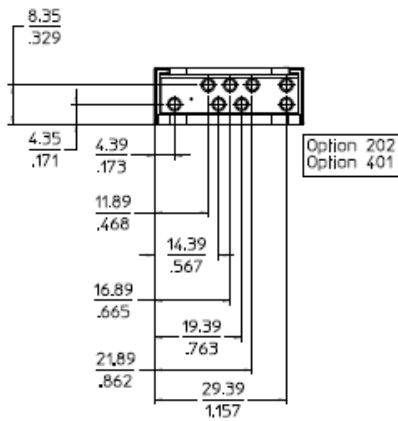
	DC	4 GHz	12.4 GHz	20 GHz	26.5 GHz
Option 301 <sup>1</sup>	125	120	109	99	90

Insertion loss (dB) =  $0.20 + \left(\frac{0.45}{26.5}\right) F$ , where F is specified in GHz

	DC	4 GHz	12.4 GHz	20 GHz	26.5 GHz
Option 302	0.2	0.27	0.41	0.53	0.65
SWR		DC-4 GHz	4-12.4 GHz	12.4-20 GHz	20-26.5 GHz
Option 302		1.10	1.20	1.23	1.45

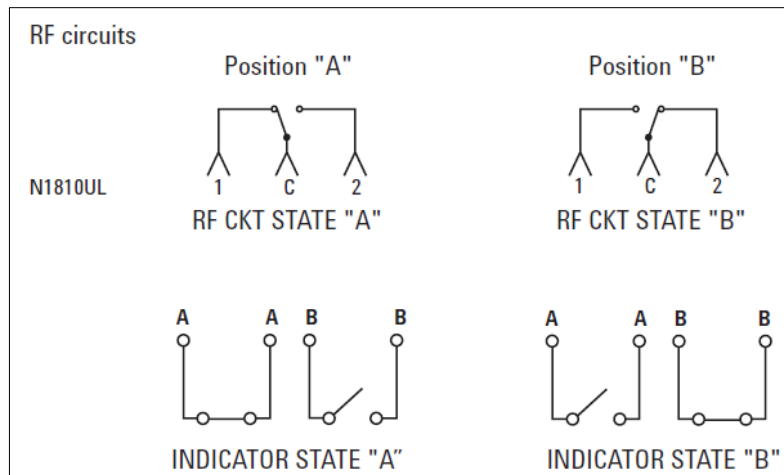
1. Option 301:  
 Storage and cycling temperature: -55 °C to +65 °C  
 Operating temperature: -25 °C to +65 °C

# N1810UL



Dimensions are nominal values in millimeters and inches, unless otherwise specified.

# N1810UL



## Switch drive specifications N1810UL

Option	Parameter	Conditions	Min	Nominal	Max	Units
105	Supply voltage		4.5	5	7.0	V
	Supply current	Supply voltage = 5 V		550		mA
115 <sup>1</sup>	Supply voltage		12.0	15	20.0	V
	Supply current	Supply voltage = 15 V		300		mA
124 <sup>2</sup>	Supply voltage		20.0	24	32.0	V
	Supply current	Supply voltage = 24 V		200		mA

## TTL drive specifications

Option	Parameter	Conditions	Min	Nominal	Max	Units
401	High level input		3.0		12.0	V
	Low level input		0.0		1.0	V
	Max input current	Input voltage = 12.0 V			1.0	mA
		Input voltage = 3.85 V		0.25	0.5	mA

## Driving the switch\*

STD drive connect GND to ground		TTL drive connect GND to ground		RF state	INDICATOR state
A	B	A	B		
GND	OPEN	Hi	Lo	"A"	"A"
OPEN	GND	Lo	Hi	"B"	"B"
GND	GND	Hi	Hi	Indeterminate	NA
OPEN	OPEN	Lo	Lo	Switch remains at previous state	NA

GND +V -Vsupply (see switch drive specification table, this page)

OPEN\* Maximum leakage current of 50uA at nominal drive voltage

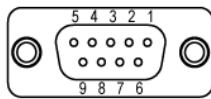
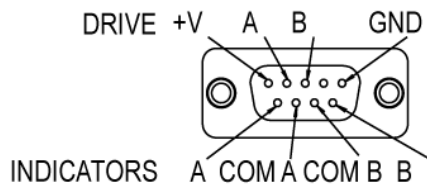
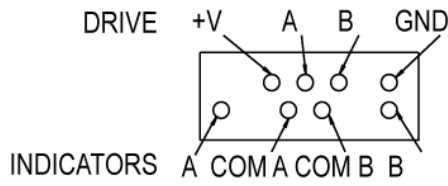
Hi 3.0 V to 12.0 V

Lo 0.0 V to 1.0 V Warning drive level below -0.25 V will damage TTL drive circuit!

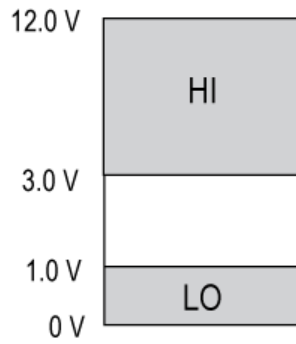
\* WARNING! Use adapter cable 11764-60011 with 87130A switch driver

WARNING! Minimum switch spacing 6.0 mm (0.25 inch)

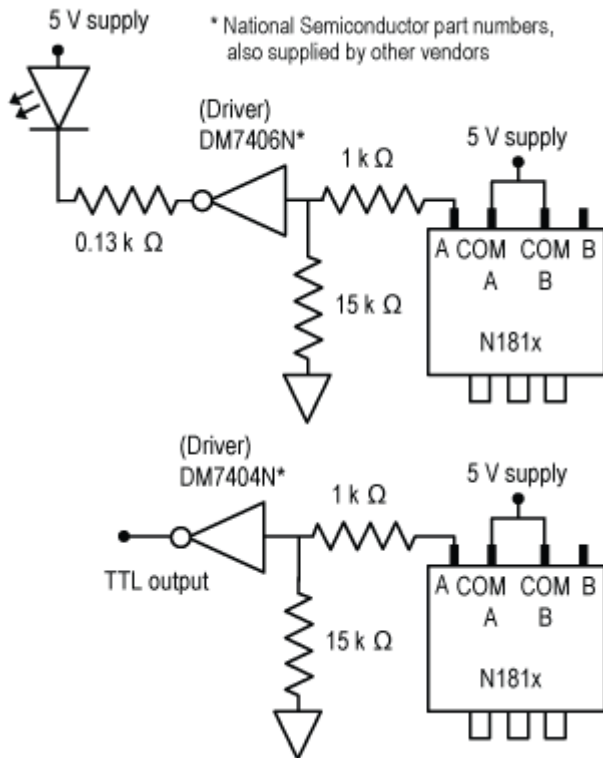
## Recommended indicator circuit



Pin out diagram

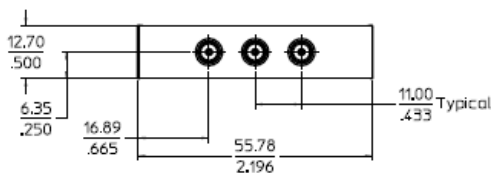
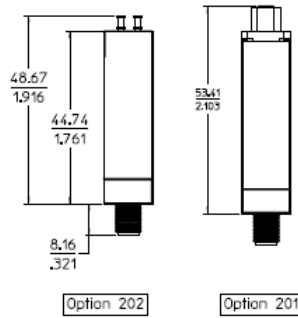
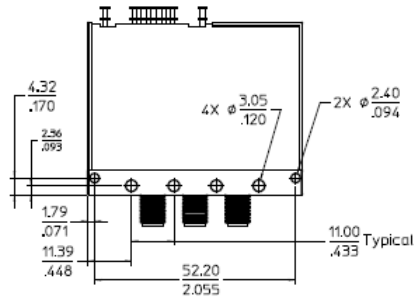
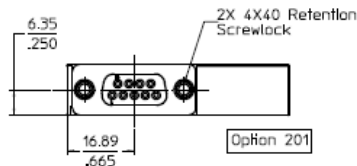
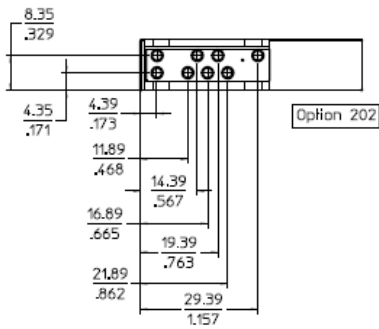
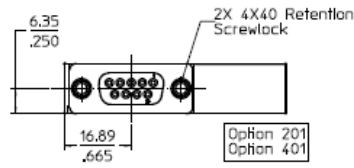
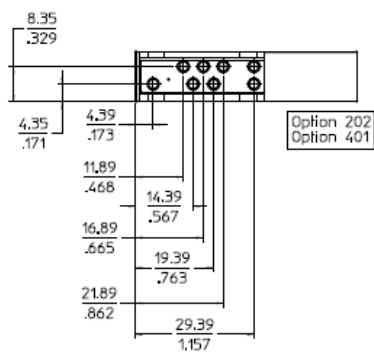


TTL control  
voltage states  
REFERENCED  
TO "GND" PIN



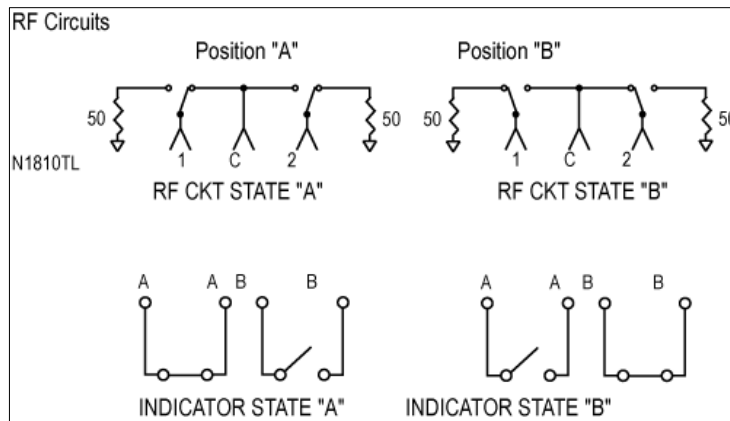


# N1810TL



Dimensions are nominal values in millimeters and inches, unless otherwise specified.

# N1810TL



## Switch drive specifications N1810TL, N1811TL, N1812UL

Option	Parameter	Conditions	Min	Nominal	Max	Units
105	Supply voltage		4.5	5	7.0	V
	Supply current	Supply voltage = 5 V		550		mA
115 <sup>1</sup>	Supply voltage		12.0	15	20.0	V
	Supply current	Supply voltage = 15 V		300		mA
124 <sup>2</sup>	Supply voltage		20.0	24	32.0	V
	Supply current	Supply voltage = 24 V		200		mA

## TTL drive specifications

Option	Parameter	Conditions	Min	Nominal	Max	Units
401	High level input		3.0		12.0	V
	Low level input		0.0		1.0	V
	Max input current	Input voltage = 12.0 V			1.0	mA
		Input voltage = 3.85 V		0.25	0.5	mA

## Driving the switch\*

STD drive connect GND to ground		TTL drive connect GND to ground		RF state	INDICATOR state
A	B	A	B		
GND	OPEN	Hi	Lo	"A"	"A"
OPEN	GND	Lo	Hi	"B"	"B"
GND	GND	Hi	Hi	Indeterminate	NA
OPEN	OPEN	Lo	Lo	Switch remains at previous state	NA

GND +V -Vsupply (see switch drive specification table, this page)

OPEN\* Maximum leakage current of 50uA at nominal drive voltage

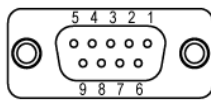
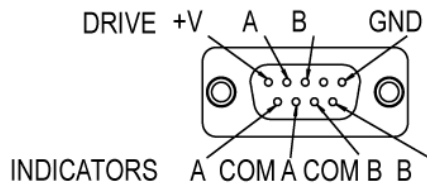
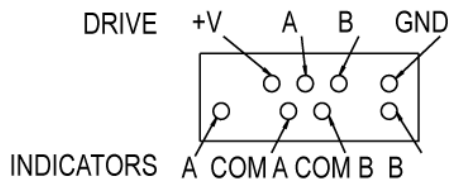
Hi 3.0 V to 12.0 V

Lo 1.0 V to 1.0 V Warning drive level below -0.25 V will damage TTL drive circuit!

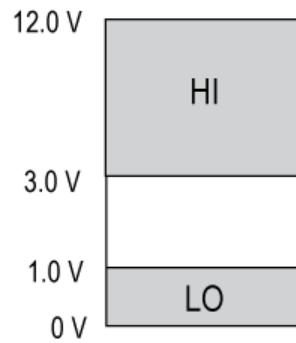
\* WARNING! Use adapter cable 11764-60011 with 87130A switch driver

WARNING! Minimum switch spacing 6.0 mm (0.25 inch)

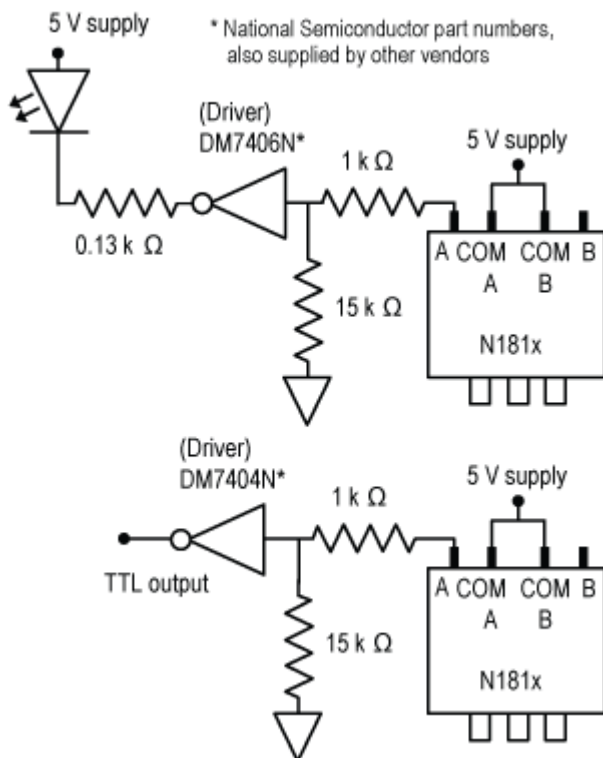
## Recommended indicator circuit



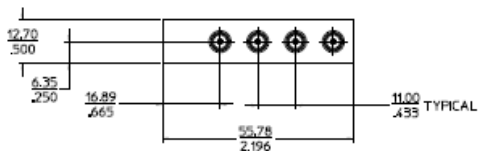
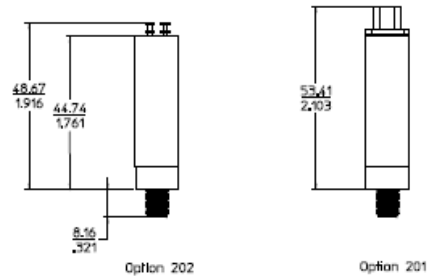
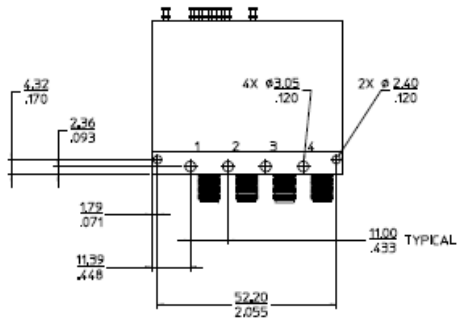
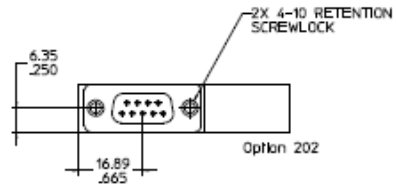
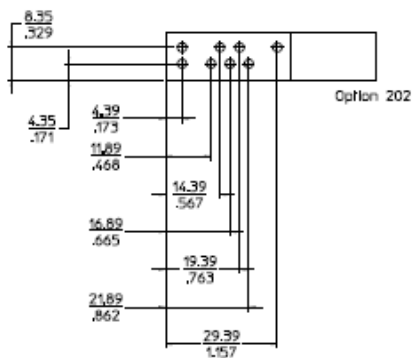
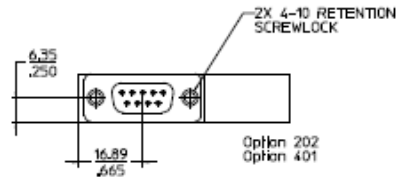
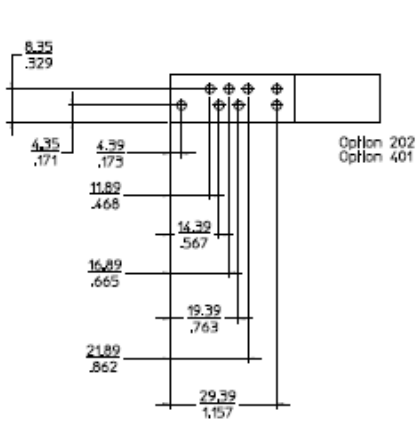
Pin out diagram



TTL control  
voltage states  
REFERENCED  
TO "GND" PIN

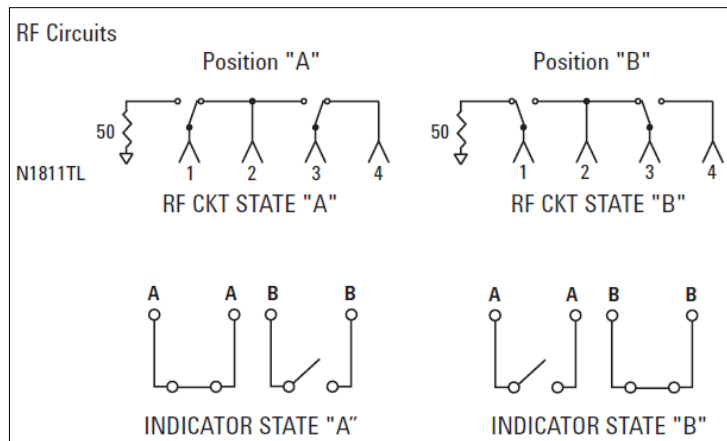


# N1811TL



Dimensions are nominal values in millimeters and inches, unless otherwise specified.

## N1811TL



### Switch drive specifications N1810TL, N1811TL, N1812UL

Option	Parameter	Conditions	Min	Nominal	Max	Units
105	Supply voltage		4.5	5	7.0	V
	Supply current	Supply voltage = 5 V		550		mA
115 <sup>1</sup>	Supply voltage		12.0	15	20.0	V
	Supply current	Supply voltage = 15 V		300		mA
124 <sup>2</sup>	Supply voltage		20.0	24	32.0	V
	Supply current	Supply voltage = 24 V		200		mA

### TTL drive specifications

Option	Parameter	Conditions	Min	Nominal	Max	Units
401	High level input		3.0		12.0	V
	Low level input		0.0		1.0	V
	Max input current	Input voltage = 12.0 V			1.0	mA
		Input voltage = 3.85 V		0.25	0.5	mA

### Driving the switch\*

STD drive connect GND to ground		TTL drive connect GND to ground		RF state	INDICATOR state
A	B	A	B		
GND	OPEN	Hi	Lo	"A"	"A"
OPEN	GND	Lo	Hi	"B"	"B"
GND	GND	Hi	Hi	Indeterminate	NA
OPEN	OPEN	Lo	Lo	Switch remains at previous state	NA

GND +V -Vsupply (see switch drive specification table, this page)

OPEN\* Maximum leakage current of 50uA at nominal drive voltage

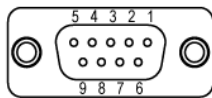
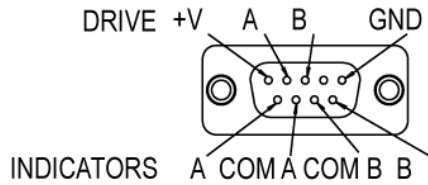
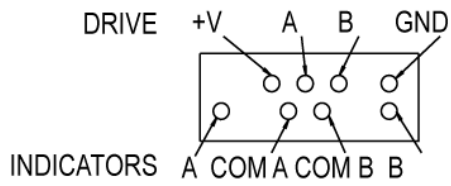
Hi 3.0 V to 12.0 V

Lo 2.0 V to 1.0 V Warning drive level below -0.25 V will damage TTL drive circuit!

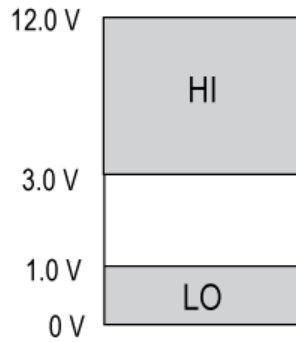
\* WARNING! Use adapter cable 11764-60011 with 87130A switch driver

WARNING! Minimum switch spacing 6.0 mm (0.25 inch)

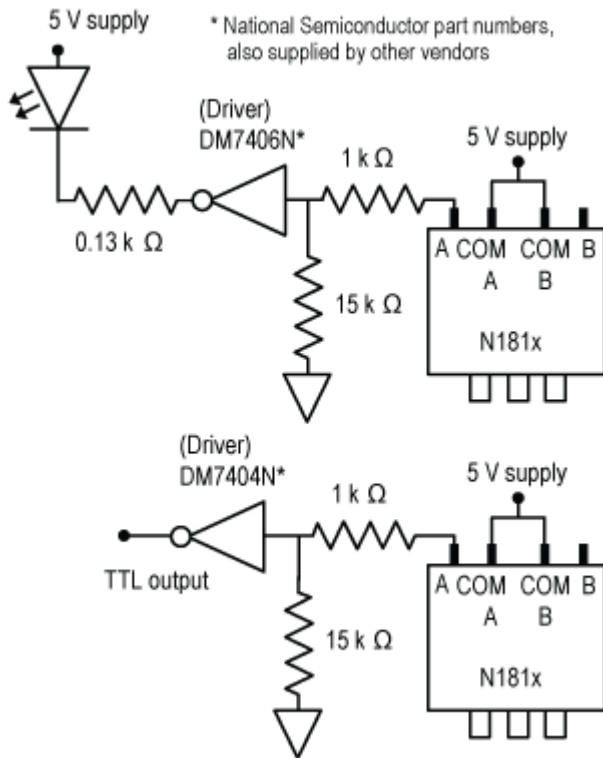
## Recommended indicator circuit



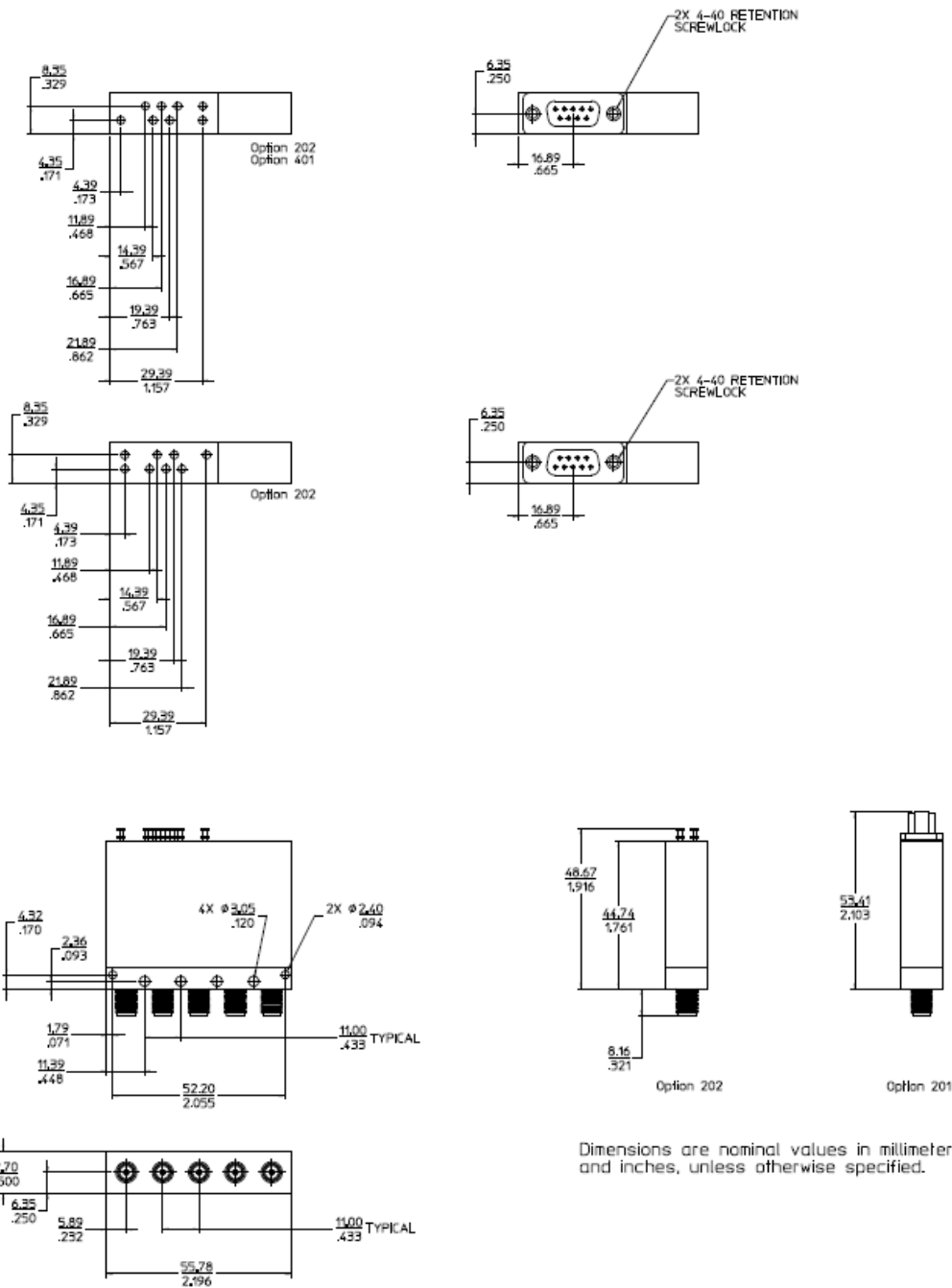
Pin out diagram



TTL control  
voltage states  
REFERENCED  
TO "GND" PIN

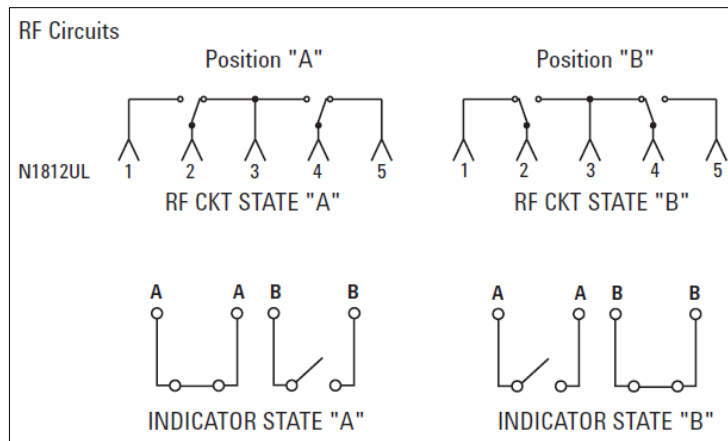


# N1812UL



Dimensions are nominal values in millimeters and inches, unless otherwise specified.

# N1812UL



## Switch drive specifications N1810TL, N1811TL, N1812UL

Option	Parameter	Conditions	Min	Nominal	Max	Units
105	Supply voltage		4.5	5	7.0	V
	Supply current	Supply voltage = 5 V		550		mA
115 <sup>1</sup>	Supply voltage		12.0	15	20.0	V
	Supply current	Supply voltage = 15 V		300		mA
124 <sup>2</sup>	Supply voltage		20.0	24	32.0	V
	Supply current	Supply voltage = 24 V		200		mA

## TTL drive specifications

Option	Parameter	Conditions	Min	Nominal	Max	Units
401	High level input		3.0		12.0	V
	Low level input		0.0		1.0	V
	Max input current	Input voltage = 12.0 V			1.0	mA
		Input voltage = 3.85 V		0.25	0.5	mA

## Driving the switch\*

STD drive connect GND to ground		TTL drive connect GND to ground		RF state	INDICATOR state
A	B	A	B		
GND	OPEN	Hi	Lo	"A"	"A"
OPEN	GND	Lo	Hi	"B"	"B"
GND	GND	Hi	Hi	Indeterminate	NA
OPEN	OPEN	Lo	Lo	Switch remains at previous state	NA

GND +V -Vsupply (see switch drive specification table, this page)

OPEN\* Maximum leakage current of 50uA at nominal drive voltage

Hi 3.0 V to 12.0 V

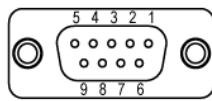
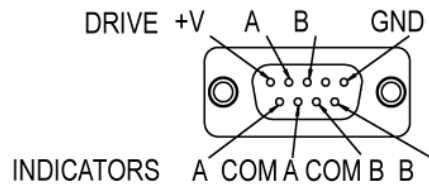
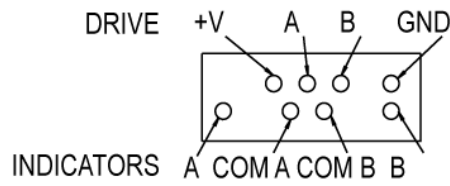
Lo 3.0 V to 1.0 V Warning drive level below -0.25 V will damage TTL drive circuit!

\* WARNING! Use adapter cable 11764-60011 with 87130A switch driver

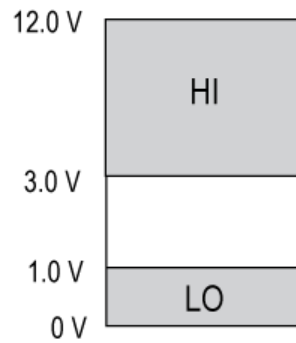
WARNING! Minimum switch spacing 6.0 mm (0.25 inch)



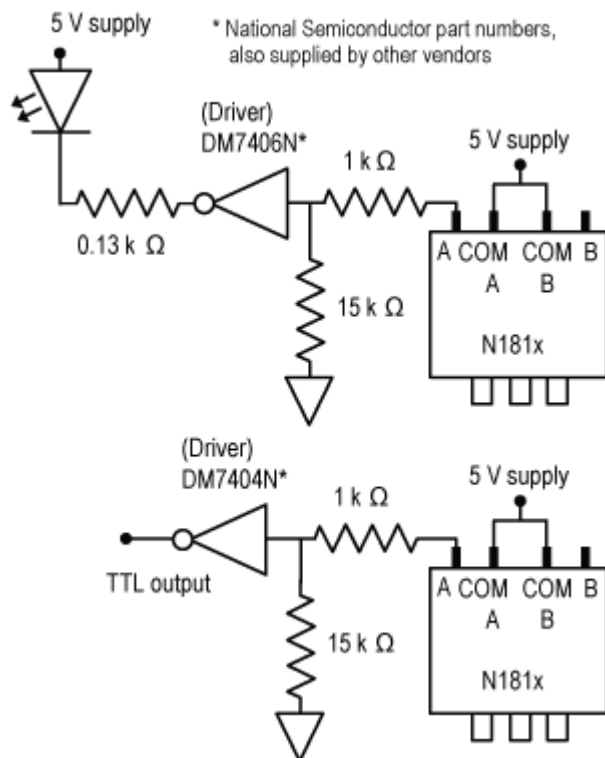
## Recommended indicator circuit



Pin out diagram



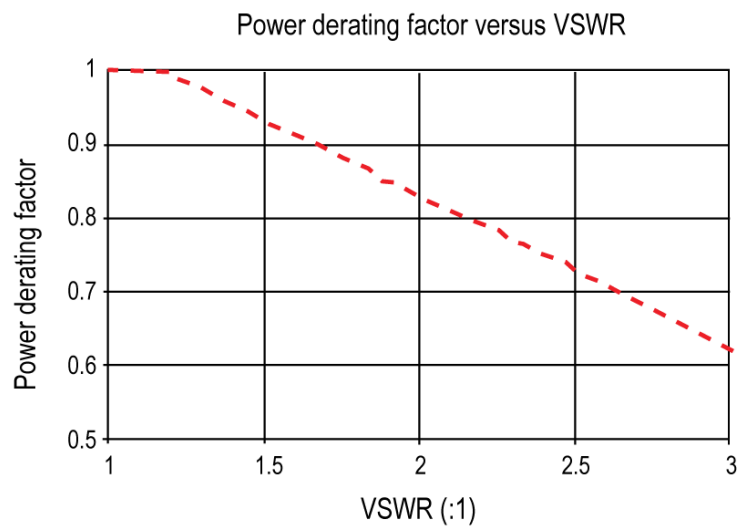
TTL control  
voltage states  
REFERENCED  
TO "GND" PIN



## Supplemental Characteristics

### General operating characteristics — N181x series

Switching speed <sup>1</sup>	Repeatability	Life	Impedance
< 15 ms	0.03 dB to 1 million cycles 0.1 dB to 2 million cycles	2 million cycles	50 Ω



#### Reference conditions

- Cold switching only (NO hot switching)
- Ambient temperature of 75 °C or less<sup>3</sup>
- Sea level (0.88 derating at 15,000 ft.)
- Load VSWR < 1.2  
(see graph for derating above 1.2 VSWR)

1. Option 105: Switching speed of 25 ms with operating temperature of -25 to -5 degree celcius  
Option 115 and 124: Switching speed of 25 ms with operating temperature of -25 to -15 degree celcius

## Environmental

The switch is designed to fully comply with Keysight Technologies' product operating environment specifications. The following summarizes the environmental specifications for these products (Class B1).

Temperature <sup>1</sup>	
Operating	-25 to +75 °C
Storage	-55 to +85 °C
Cycling	-55 to +85 °C, 10 cycles per MIL-STD 202F, 170D, Condition A (modified)
Vibration	
Operating	7 g, 5-2000 Hz at 0.25 in. p-p
Survival	20 g, 20-2000 Hz at 0.06 in. p-p, 4 min/cycle, 4 cycles/axis
Random	2.41 g (rms.) 10 min/axis
Shock	Half sine: 500 g at 0.5 ms, 3 drops/direction, 18 total
Operating	50 g at 6 ms, 6 directions
Humidity	
Operating	15 to 95% relative humidity
Storage	65 °C, 95 % RH, 10 days, MIL-STD 202F, Method 106E
Altitude	
Operating	15,000 feet/4.6 km
Storage	50,000 feet/15.3 km, MIL-STD 202F, Method 105C, Condition B

---

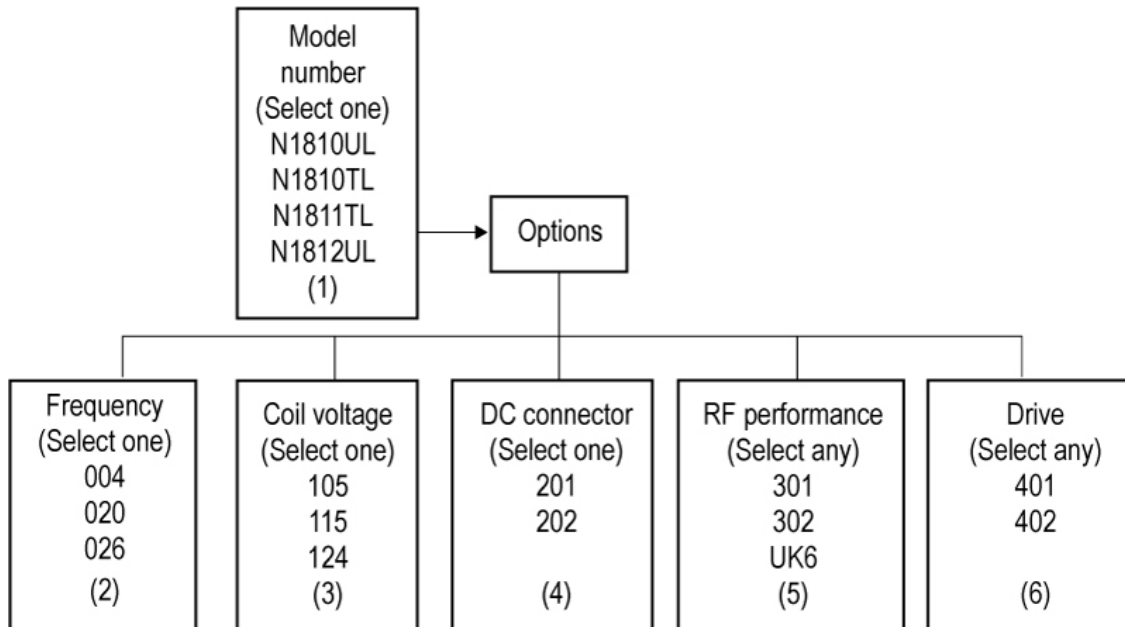
1. Option 301: Storage and cycling temperature: -55 °C to +65 °C Operating temperature: -25 °C to +65 °C

Troubleshoot guide				
		Allowable range		
Probable cause	Test	Low value	High value	Remedy
Not connected to supply		See drive specifications		Connect +V to power supply
Supply not turned on				Turn on power supply
Supply voltage less than minimum	Measure voltage from control pin to +V	See drive specifications		
Supply current low	Measure current draw with drive pin selected	See drive specifications		Increase drive voltage or reduce drive line resistance
OPEN state leakage current too HIGH	Measure leakage current in OPEN state		50 uA	Select suitable driver that has low leakage current in OPEN state
Select lines not at ground (STD DRIVE)	Measure voltage from drive select pin to ground			Eliminate ground loops and lead high resistance
TTL "LOW" voltage too high	Measure voltage from ground pin to TTL drive pin	See drive specifications		Connect ground pin to ground
TTL "LOW" voltage < 0.0 volts	Measure voltage from ground pin to TTL drive pin	See drive specifications		Eliminate ground loops
TTL GND pin not grounded				Connect GND pin to ground
Driving switch with 87130A				Use adapter cable 11764-60011

## Ordering Information

**Required:** Specify one model number, one frequency range, one coil voltage, and one DC connector type (must select one of each)

**Optional:** Specify RF performance enhancements and drive options (may select any, all, or none)



Step	Option
Select a model to fit your application. (Required)	N1810UL – Unterminated latching 3-port N1810TL – Terminated latching 3-port N1811TL – Terminated latching 4-port N1812UL – Unterminated latching 5-port
Select a frequency range. (Required)	004 – DC to 4 GHz 020 – DC to 20 GHz 026 – DC to 26.5 GHz
Select a coil voltage level. (Required)	105* – 5 volts 115 – 15 volts 124 – 24 volts
Select a DC connector type. (Required)	201 – “D” subminiature 9 pin female 202 – Solder lugs
Select RF performance enhancements. (Optional)	301 – Increased isolation 302 – Reduced standing wave ratio and insertion loss UK6 – Calibration certificate with test data
Select drive options. (Optional)	401 – TTL/CMOS compatible 5 V drive 402 – Position indicators

\* Includes options 402

## Ordering example

For an unterminated 5 port switch, operating up to 20 GHz, with 15 volt coils, D-sub connector, high isolation, and TTL, the order should look as follows: N1812UL Option 020 115 201 301 401.

## Related Literature

*Keysight Technologies Bench and System Switching Products*  
Literature Number 5989-9872EN

*Keysight RF and Microwave Switch Selection Guide*  
Literature Number 5989-6031EN

*Keysight 11713B/C Attenuator/Switch Drivers Configuration Guide*  
Literature Number 5989-7277EN

## Application Notes

*Power Handling Capability of Electromechanical Switches*  
Literature Number 5989-6032EN

*How Operating Life and Repeatability of Keysight's Electromechanical Switches Minimize System Uncertainty*  
Literature Number 5989-6085EN

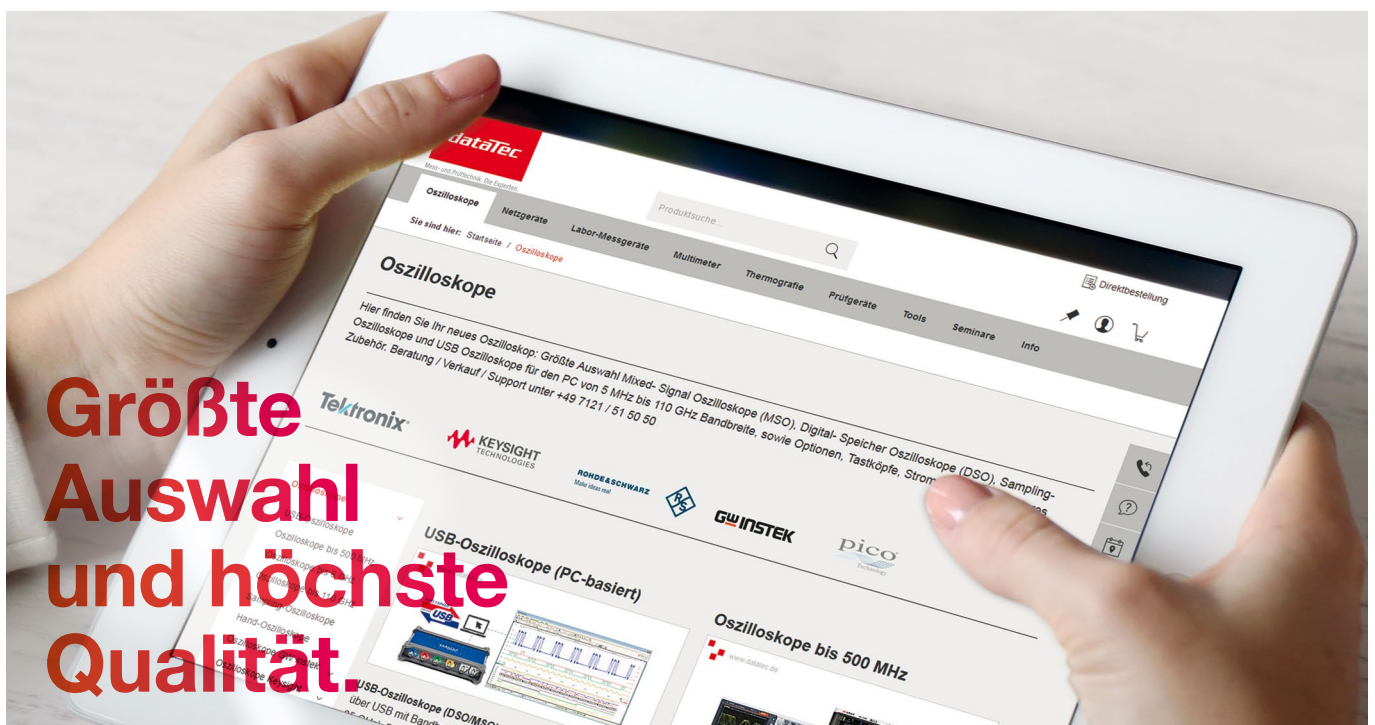
# Deutschlands größter B2B-Onlineshop für Mess- und Prüftechnik.



Mess- und Prüftechnik, Die Experten.

## Ihre Vorteile:

- > Eine unschlagbare Auswahl namhafter Hersteller
- > Hohe Lagerkapazität und kurze Wege
- > Bundesweite Lieferung und schnelle Zustellung meist innerhalb eines Tages
- > Mehrere tausend Mess- und Prüfgeräte
- > Tagesaktuelle Preise und Promotions
- > Warenkorbrabatt bei Online-Bestellung
- > Versandkostenfrei ab € 50,-
- > Dokumenten-Download u. v. m.



# Wir haben die Lösungen für Ihre Mess- aufgaben.

**dataTec**

Mess- und Prüftechnik, Die Experten.

## Ihre Vorteile:

- > Diplom-Ingenieure, Elektronik- und Elektrotechniker
- > Langjährige Praxiserfahrung und hohe Kompetenz
- > Bundesweit über 20 praxiserfahrene und herstellerzertifizierte Vertriebsingenieure im Außendienst bei Ihnen vor Ort

## Experten für:

- > Oszilloskope
- > Spektrum- / Netzwerkanalysatoren
- > Netzgeräte / Stromversorgungen
- > Thermografie / Temperatur
- > Prüfgeräte VDE / Netzanalyse
- > u. v. m.

